



# 3000W True Sine Wave DC-AC Inverter

# TS-3000 series



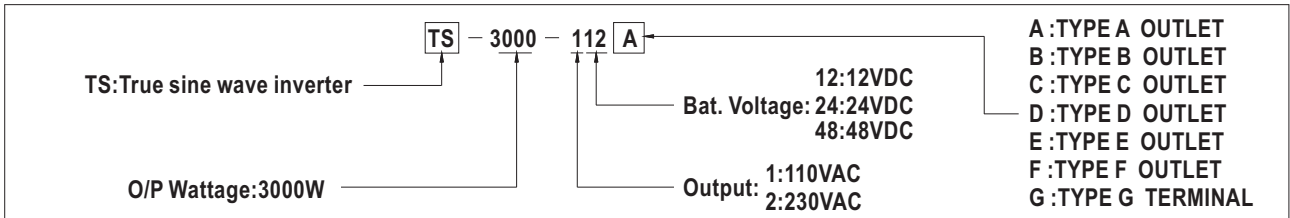
### ■ Features :

- True sine wave output (THD<3%)
- High surge power up to 6000W
- High efficiency up to 92%
- Power ON-OFF switch
- Standby saving mode can be selectable
- Front panel indicator for operation status
- Thermostatically controlled cooling fan
- Protections: Bat. low alarm / Bat. low shutdown / Over voltage / Over temp. / Output short / Input polarity reverse / Overload / AC circuit breaker
- Application : Home appliance, power tools, office and portable equipment, vehicle and yacht ...etc.
- Optional monitoring software and connection cable (MW order No. : DS-TN-1500)
- 3 years warranty



### SPECIFICATION

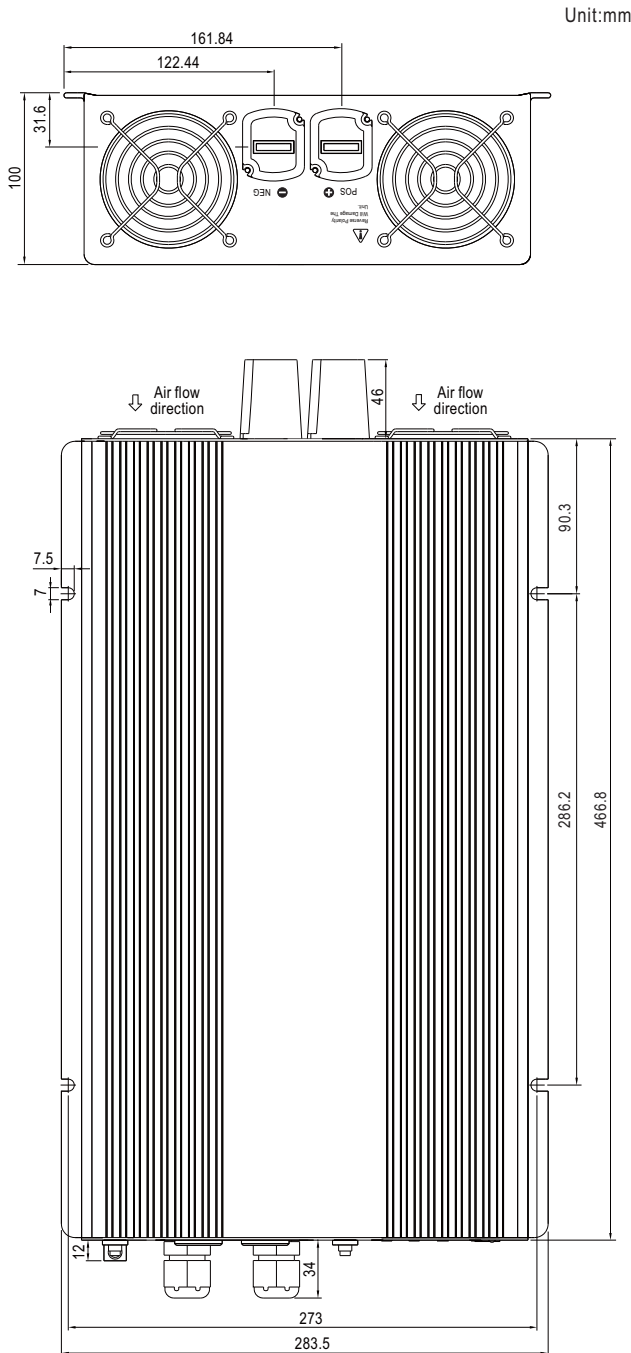
MODEL	TS-3000-112	TS-3000-124	TS-3000-148	TS-3000-212	TS-3000-224	TS-3000-248		
OUTPUT	RATED POWER (Typ.)						3000W	
	MAXIMUM OUTPUT POWER (Typ.)						3450W for 180 sec. / 4500W for 10 sec. / surge power 6000W for 30 cycles	
	AC VOLTAGE			Factory setting set at 110VAC			Factory setting set at 230VAC	
				100 / 110 / 115 / 120VAC selectable by setting button S.W			200 / 220 / 230 / 240VAC selectable by setting button S.W	
	FREQUENCY						60±0.1Hz 50/60Hz selectable by setting button S.W	
	WAVEFORM <small>Note.7</small>						True sine wave (THD<3%)	
	AC REGULATION (Typ.)						±3%	
	SAVING MODE (Typ.)						Default disabled. Load ≤5W will be changed to standby mode	
FRONT PANEL INDICATOR						Battery voltage level, output load level, saving mode, fault and operation status		
INPUT	BAT. VOLTAGE		12V	24V	48V	12V	24V	48V
	VOLTAGE RANGE (Typ.) <small>Note.3,6</small>		10.5 ~ 15VDC	21 ~ 30VDC	42 ~ 60VDC	10.5 ~ 15VDC	21 ~ 30VDC	42 ~ 60VDC
	DC CURRENT (Typ.) <small>Note.4</small>		300A	150A	75A	300A	150A	75A
	NO LOAD DISSIPATION (Typ.)						≤10W @ standby saving mode	
	OFF MODE CURRENT DRAW (Typ.)						≤1mA	
	EFFICIENCY (Typ.) <small>Note.1</small>		88%	90%	91%	89%	91%	92%
	BATTERY TYPES						Open & sealed lead acid battery	
BATTERY INPUT PROTECTION	FUSE		40A*12	40A*6	20A*6	40A*12	40A*6	20A*6
	BAT. LOW ALARM <small>Note.6</small>		11.3V	22.5V	45V	11.3V	22.5V	45V
	BAT. LOW SHUTDOWN <small>Note.6</small>		10.5V	21V	42V	10.5V	21V	42V
	REVERSE POLARITY						By internal fuse open	
OUTPUT PROTECTION	OVER TEMPERATURE		90°C ± 5°C	85°C ± 5°C	85°C ± 5°C	80°C ± 5°C	75°C ± 5°C	75°C ± 5°C
							Protection type : Shut down o/p voltage, re-power on to recover	
	OUTPUT SHORT						Protection type : Shut down o/p voltage, re-power on to recover	
	OVER LOAD (Typ.)						105 ~ 115% load for 180 sec., 115% ~ 150% load for 10 sec.	
							Protection type : Shut down o/p voltage, re-power on to recover	
CIRCUIT BREAKER						AC output receptacle:15A		
GFCI PROTECTION						Optional (Only type F)      None		
ENVIRONMENT	WORKING TEMP. <small>Note.2</small>		0 ~ +40°C @ 100% load ; 60°C @ 50% load					
	WORKING HUMIDITY						20% ~ 90% RH non-condensing	
	STORAGE TEMP., HUMIDITY						-30 ~ +70°C / -22 ~ +158°F, 10 ~ 95% RH	
	VIBRATION						10 ~ 500Hz, 3G 10min./1cycle, 60min. each along X, Y, Z axes	
SAFETY & EMC	SAFETY STANDARDS			UL458 (only for Type G)		None		
	LVD			None		EN60950-1		
	WITHSTAND VOLTAGE						Bat I/P - AC O/P:3.0KVAC AC O/P - FG:1.5KVAC	
	ISOLATION RESISTANCE						Bat I/P - AC O/P, Bat I/P - FG, AC O/P - FG: 100M ohms / 500VDC / 25°C / 70% RH	
	EMC EMISSION				Compliance to FCC class A		Compliance to EN55022 class A, 72/ 245/ CEE, 95/ 54/ CE, E-Mark	
	EMC IMMUNITY				None		Compliance to EN61000-4-2,3,4,5,6,8,11	
OTHERS	CONTROL WIRING						RJ11 -RS232 (Option)	
	DIMENSION						466.8*283.5*100mm (L*W*H)	
	PACKING						12.9Kg; 1pcs/14Kg/1.49CUFT	
NOTE	1.Efficiency is tested by 2100W, linear load at 13V, 26V, 52V input voltage. 2.Output derating capacity referenced by curve 1. 3.Input derating capacity referenced by curve 2. 4.DC current is tested by 3000W, linear load at 12V, 24V, 48V input voltage. 5.All parameters not specified above are measured at rated load, 25°C of ambient temperature and set to factory setting. 6.The tolerance of each voltage value by models is:112/212→±0.5V;124/224→±1V;148/248→±2V 7.TH.D is tested by 3000W, linear load at 13,26,52V input voltage.							



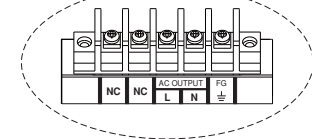
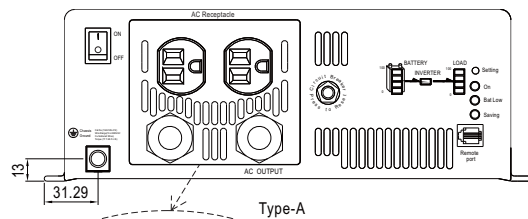
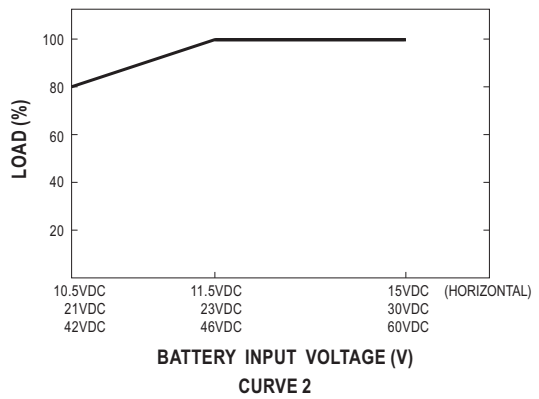
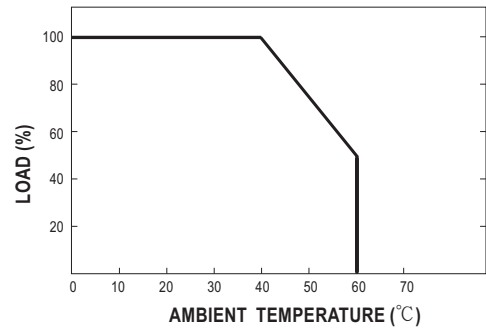
### AC Output Receptacle (optional)

Receptacle type							
	TYPE-A	TYPE-B	TYPE-C	TYPE-D	TYPE-E	TYPE-F	(Terminal only)
Country	USA	EUROPE	AUSTRALIA	U.K	JAPAN	GFCI	-----
Certificate							

### Mechanical Specification



### Derating Curve



Note: When the load current is >15A, must use output terminal connection which can be found inside the AC output panel of the inverter.

